



# iData DM5000 High-performance Fixed Mount Scanner

Large field of view & wide depth of field, designed to improve on-site data-collecting efficiency of automatic production line

iData DM5000 has a large field of view and a wide depth of field. It can read multiple barcodes at the same time. With different lens options, DM5000 has a wider range of reading distances so that it can be applied to almost any production line, such as semiconductor manufacturing, automobile manufacturing, mobile phone manufacturing, etc. In all, DM5000 can improve on-site data-collecting efficiency in automatic production lines effectively with its capacity to scan codes for traceability or to print codes for verification.

## Ultra-large FOV, support simultaneous multiple barcodes reading

Adopting a 20MP image sensor, it can support reading 200 QR codes at the same time, and can quickly complete a large number of recording tasks. With the coding rating function, it can quickly authenticate the coding results to ensure the quality of the barcode.

## Wider DOF to fit more production lines

Equipped with a 6MP image sensor, the reading range is 60mm~800mm, covering almost any scene. It can be used for scanning codes and traceability of micro components and large components. It comes with a mechanical focusing lens to complete the focus automatically and facilitate debugging process.

## Industrial IP protection to survive more complicated operations

With IP67 protection capability, it is suitable for all kinds of dust workshops, cold and hot processing workshops, cleaning workshops and other on-site operating environments, the risk of equipment shutdown caused by harsh environments has been reduced effectively.



Semiconductor manufacturing



Automobile manufacturing



Smartphone 3C Manufacturing



Photovoltaic manufacturing

# DM5000 Technical Specifications

## Hardware Parameters

Model	DM5000-60P	DM5000-200P
Resolution	3072×2048 ppi	5440 × 3648ppi
Camera	Mechanical focus	C port
Full-in Light	White light, optional red/blue light/infrared light	No light source within
Indicator on Housing	Power indicator: PWR Network indicator: LNK/ACT User indicator: U1/U2	

## Structural Parameters

Size (LxWxD)	118.7mm×78mm×73.2mm	109.5mm×64.4mm×109mm
Weight	Est. 520g	Est. 470g
Screw Holes on Housing	Screw hole size: M4 Back and Front-end: 4 holes/each	

## Scan Performance

Scan Rate	90 codes/s	36 codes/s
Frame Rate	30 FPS	20 FPS
Capture range	60mm~800mm	80mm~600mm
Code system	One dimension: Code 39, Code 93, Code 128, CodaBar, EAN8, EAN13, UPCA, UPCE, ITF14, ITF25, Matrix 25, MSI, China Post, Code 11, etc. Two dimensions: QR, DM, PDF417, etc.	

## Certifications

Certifications	CE, FCC, RoHS
----------------	---------------

## Electrical Parameters

Max. Output	20W 24V DC (Fill-in light is on)	47.5W 24V DC (Fill-in light is on)
Voltage	24V DC	12V DC ~ 24V DC
Digital I/O	12-pin M12 connector provides power and I/O: including 3 optocoupler isolated inputs (LineIn 0/1/2), 3 optocoupler isolated outputs (LineOut 0/1/2), 1 RS-232 input, 1 RS-232 output	
Data Interface	Gigabit Ethernet (1000 Mbit/s)	

## Environmental Parameters

Working Temperature	0°C ~ 50°C
Storage Temperature	-30°C ~ 70°C
Humidity	20% ~ 95%RH (no condensation)
IP Rating	IP67 (with waterproof lens cover installed)
Ambient Light	0~100000Lux

## Communication Protocol

Protocol	SmartSDK, TCP Client, Serial, FTP, TCP Server, PROFINET, Ethernet/IP, MELSEC, Fins, ModBus, SLMP
----------	--

## Accessories

Standard Accessories	Power cord: M12 cable, M12 A Code/12P/F convert to OPEN, black, 5m; Network cable: M12 cable, M12 A Code/8P/M convert to crystal head, black network port male head black, 5m; Adapter
Optional Accessories	Installation panel

The information of iData products and software service may be subject to change without notice. Please contact your iData sales representative for the latest details.

**CDG** | Computer Peripheral and Supplies Ltd.

Computer Peripheral and Supplies Ltd.

244 Soi Pattanakarn 53, Pattanakarn, Suanluang, Bangkok 10250 Thailand

### Contact Us

Tel : (66) 0-2322-9535, 0-2722-4040

Fax : (66) 0-2322-7990

E-Mail : sales.dept@cps.co.th

Web site : www.cps.co.th, www.facebook.com/cps.co.th

### More Details

Scan Here

LINE ID

Need more

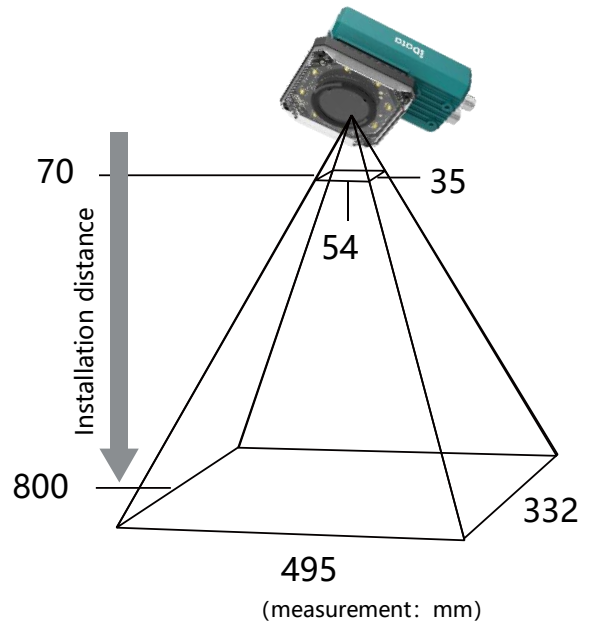
Information



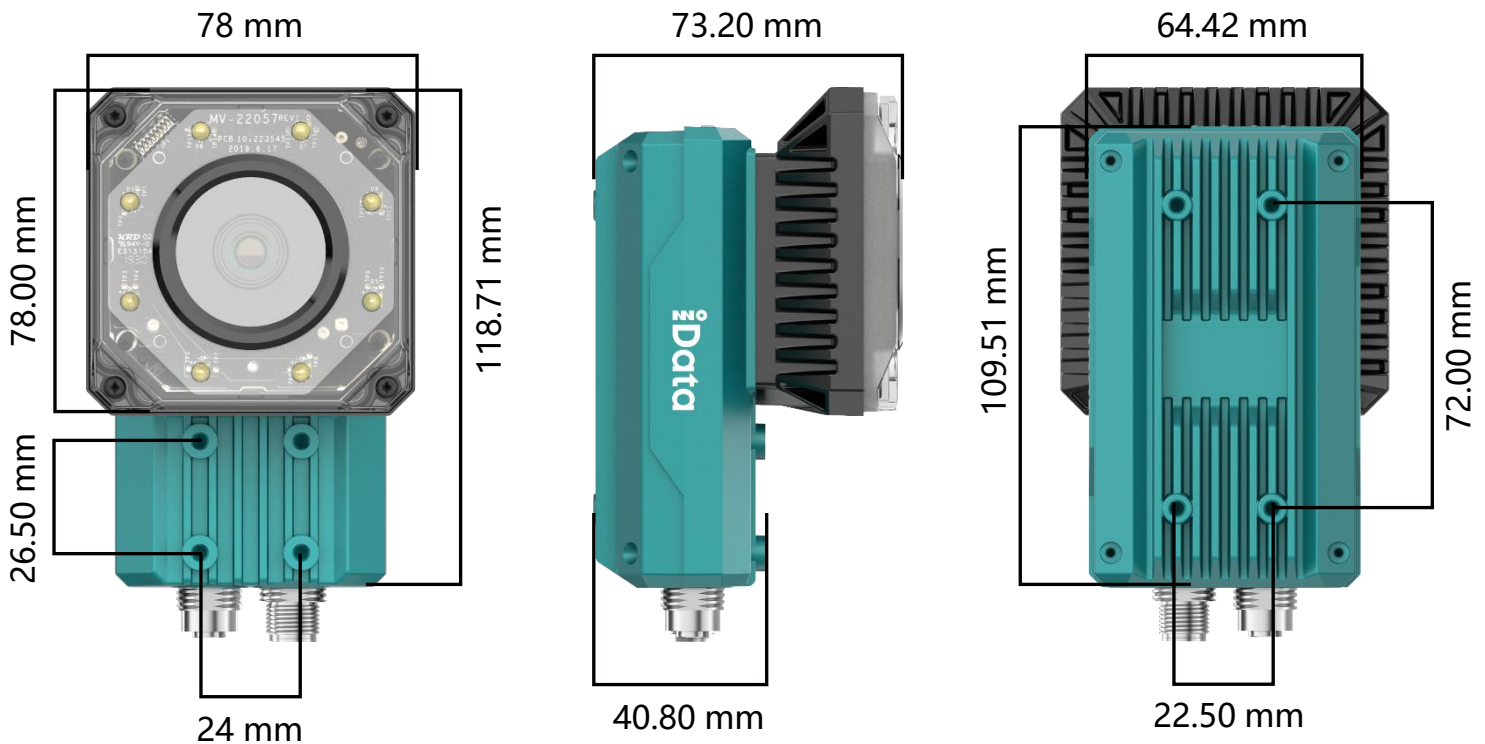
# DM5000 Technical Specifications

## DM5000-60P FOV, DOF and Min. Reading Accuracy

Working distance (mm)	3072×2048 pixel			
	Field of view		Min. reading accuracy	
	Horizontal (mm)	Vertical (mm)	2Dcode (mm)	1Dcode (mm)
70	54	35	0.070	0.018
100	72	48	0.094	0.023
200	131	85	0.171	0.043
300	194	127	0.253	0.063
400	250	165	0.326	0.081
500	316	210	0.411	0.103
600	374	244	0.487	0.122
700	432	290	0.563	0.141
800	495	332	0.645	0.161



## DM5000-60P Structural Diagram



The information of iData products and software service may be subject to change without notice. Please contact your iData sales representative for the latest details.

**CDG** | Computer Peripheral and Supplies Ltd.

Computer Peripheral and Supplies Ltd.

244 Soi Pattanakarn 53, Pattanakarn, Suanluang, Bangkok 10250 Thailand

### Contact Us

Tel : (66) 0-2322-9535, 0-2722-4040

Fax : (66) 0-2322-7990

E-Mail : sales.dept@cps.co.th

Web site : www.cps.co.th, www.facebook.com/cps.co.th

### More Details

Scan Here

LINE ID

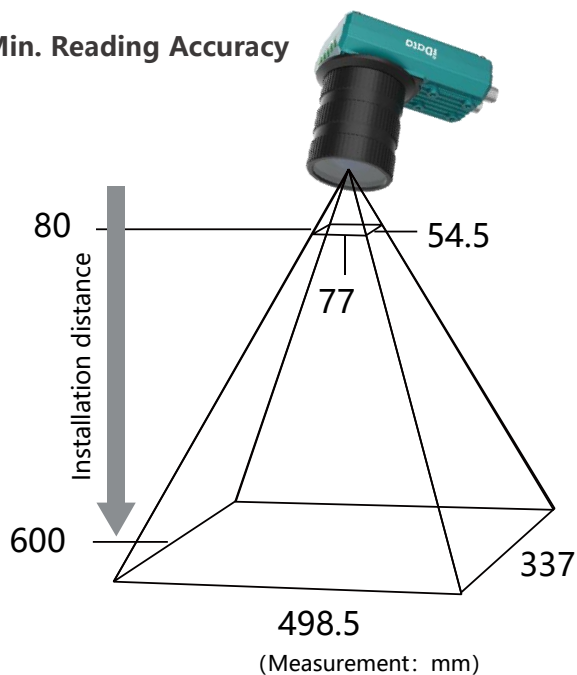
Need more Information



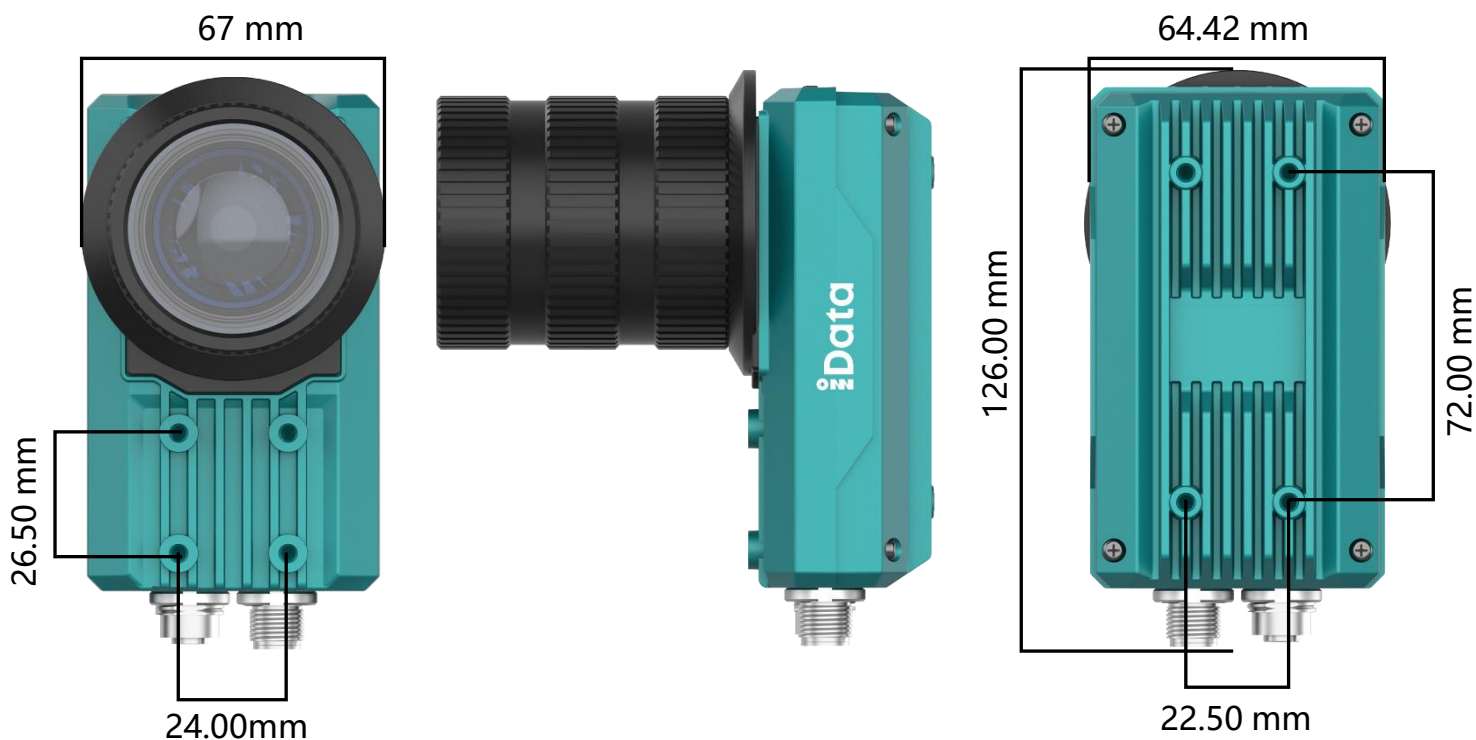
# DM5000 Technical Specifications

## DM5000-200P(C port 16mm focus lens) FOV, DOF and Min. Reading Accuracy

Working distance (mm)	5440×3648 pixel			
	Field of view		Min. reading accuracy	
	Horizontal (mm)	Vertical (mm)	2Dcode (mm)	1Dcode (mm)
80	77	54.5	0.057	0.014
100	100	62	0.074	0.018
200	179	130	0.132	0.033
300	259	177	0.190	0.048
400	335	231	0.246	0.062
500	426	287	0.313	0.078
600	498.5	337	0.367	0.092



## DM5000-200P(C port 16mm focus lens) Structural Diagram



The information of iData products and software service may be subject to change without notice. Please contact your iData sales representative for the latest details.

**CDG** | Computer Peripheral and Supplies Ltd.

Computer Peripheral and Supplies Ltd.

244 Soi Pattanakarn 53, Pattanakarn, Suanluang, Bangkok 10250 Thailand

### Contact Us

Tel : (66) 0-2322-9535, 0-2722-4040

Fax : (66) 0-2322-7990

E-Mail : sales.dept@cps.co.th

Web site : www.cps.co.th, www.facebook.com/cps.co.th

### More Details

Scan Here

LINE ID

Need more Information

